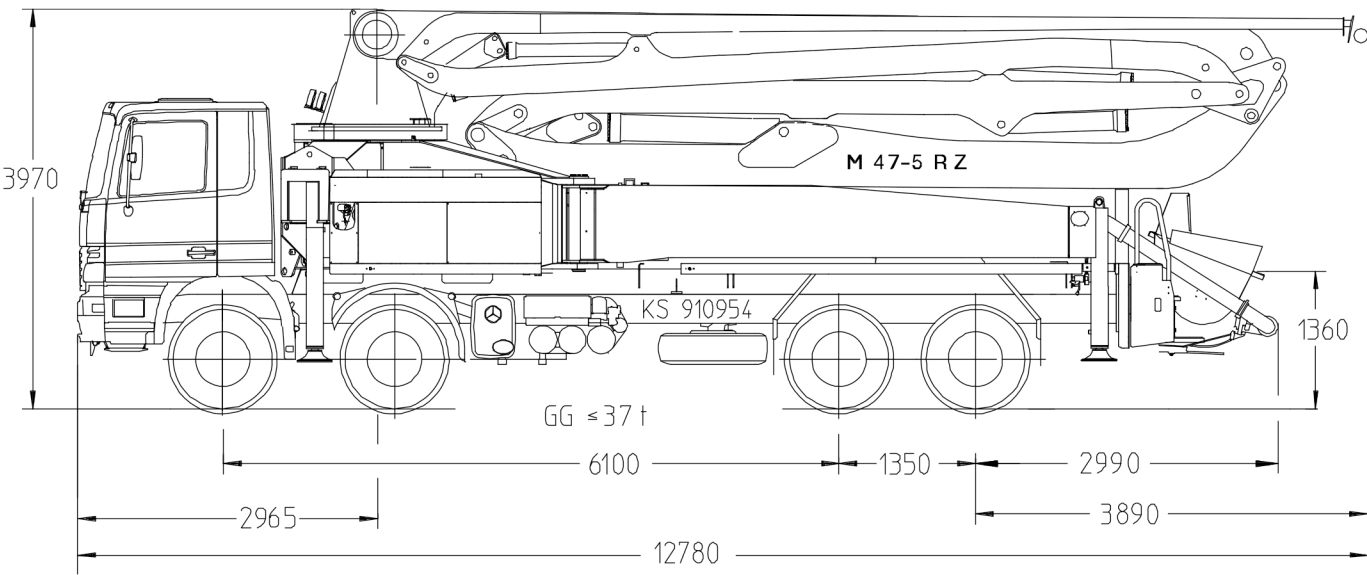
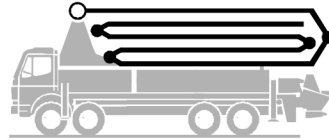


Putzmeister

Truck-mounted concrete pump BSF 47-5.14 H

.16 H
.16 H LS

Output up to 160 m³/h
Delivery pressure up to 130 bar*



Note: Standard version. Dimensions and weights depend on truck, pump model and equipment.
Dimensions in mm, MB-Actros 4144 as example.

Technical data

| Boom M 47-5 | | |
|------------------|-------|--------|
| Sections | | 5 |
| Reach height | m | 46.1 |
| Horizontal reach | gross | m 42.1 |
| | net | m 39.3 |
| Reach depth max. | m | 32.2 |
| Unfolding height | m | 9.5 |
| End hose length | m | 3 |
| Folding system | | RZ |
| Delivery line | | DN 125 |

| Pump | | BSF | .14 H | .16 H | .16H LS |
|-------------|-------------------|-------------------|-------|-------|---------|
| Rod side | Output | m ³ /h | 140 | 160 | - |
| | Delivery pressure | bar | 70 | 85 | - |
| | Strokes | 1/min. | 27 | 31 | - |
| Piston side | Output | m ³ /h | 88 | 108 | 160 |
| | Delivery pressure | bar | 112 | 130 | 85 |
| | Strokes | 1/min. | 17 | 21 | 26 |
| | Delivery cylinder | Ø mm | 230 | 230 | 250 |
| | Stroke | mm | 2100 | 2100 | 2100 |

*) Delivery line boom max. 85 bar.
All data maximum theoretical.